

Promethean OPS-M



GENERAL SPECIFICATIONS

Device Type	Open Pluggable Specification (OPS)
Operating System	Win 10 Pro
CPU	10th Gen Intel Core i7
GPU	Intel UHD Graphics (supports 4K @ 60 Hz)
RAM	16 GB, DDR4x2, 2666MHz
Internal Storage	256 GB SSD, PCI-e, M.2
Touchscreen Compatibility	Yes
TPM	2.0
Platform	Comet Lake-U

CONNECTIVITY

HDMI Out	x1 (up to 4K) HDMI 1.4
USB 2.0	x2
USB 3.0	x2
USB Type-C	x1 (USB 3.1 Gen 2)
Headphone	x1
Microphone	x1
Network Connectivity	Integrated 10/100/1000 Mbps, AX200, Wi-Fi 6, Bluetooth® 5.1

POWER

Power Requirements	12-19 V DC
Power Consumption Maximum	60 W
Power Consumption Standby	0.5 W

ENVIRONMENTAL

Operating Temperature	0°C to 40°C (32°F to 104°F)
Storage Temperature	-20°C to 60°C (-4°F to 140°F)
Operating Humidity	10% to 95%
Storage Humidity	10% to 90%

PHYSICAL SPECIFICATIONS

Product Dimensions	200 x 120 x 30 mm (7.9 x 4.7 x 1.2 in)
Packed Dimensions	267 x 214 x 70 mm (10.5 x 8.4 x 0.28 in)
Net Weight	0.7 kg (1.5 lbs)
Packed Weight	1.1 kg (2.4 lbs)

PACKED CONTENTS

What's in the Box	OPS-M x1, Antenna x2, Installation Guide x1
-------------------	---

COMPLIANCE & CERTIFICATION

Regulatory Certification	CB, CE, FCC, RCM, UL, RoHS
--------------------------	----------------------------

WARRANTY

Standard Warranty	3-Year Warranty. For more information, visit PrometheanWorld.com/Warranty .
-------------------	--

INSTALLATION

The installation of this product should be completed by a qualified installer. Use of components not supplied by Promethean or not meeting minimum specifications may impact performance, safety and warranty. For more information, visit [Support.PrometheanWorld.com](https://www.support.prometheanworld.com)

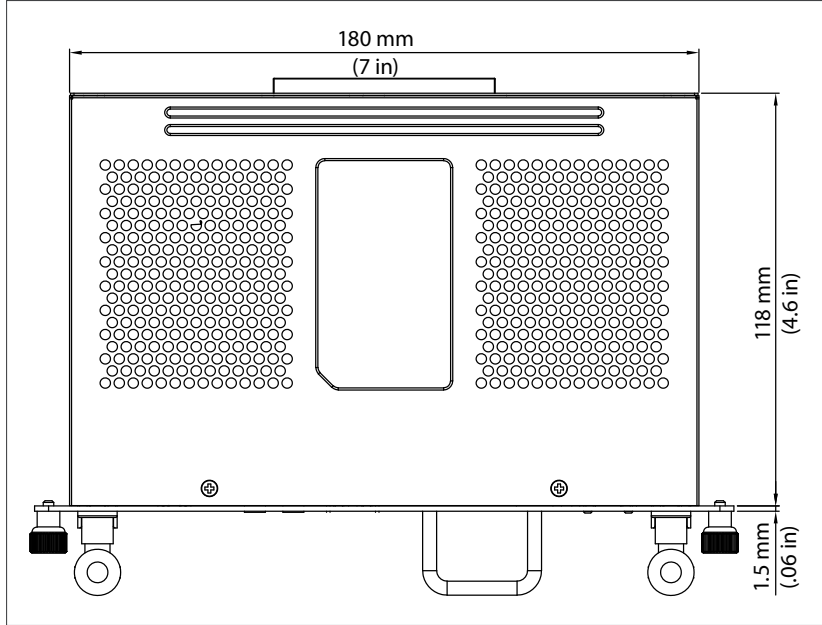
SUPPORT

For all Promethean products, visit [Support.PrometheanWorld.com](https://www.support.prometheanworld.com).

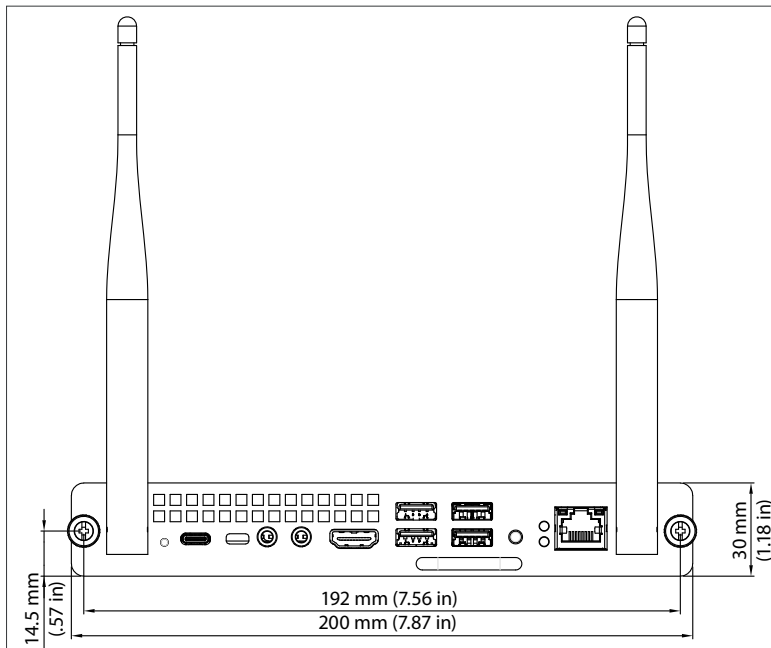
Promethean OPS-M

TECHNICAL DRAWINGS

Top



Front



Side

