

ActivPanel®

Manual Height-Adjustable Stands

INTERACTIVE FLAT PANEL STAND OPTIONS



MANUAL HEIGHT-ADJUSTABLE WALL MOUNT SPECIFICATIONS

Compatible with all sizes of ActivPanel 5, ActivPanel i-Series, ActivPanel 6, and ActivPanel Elements series

PHYSICAL SPECIFICATIONS

Product Dimensions	559 x 609 x 69 mm (22 x 24 x 3 in)
Packed Dimensions	630 x 740 x 95 mm (25 x 29 x 4 in)
Net Weight	21.6 kg (48 lbs)
Packed Weight	24 kg (53 lbs)
Travel Distance (Adjustable Height)	400 mm (15.7 in)

PACKED CONTENTS

What's in the Box	Box 1 of 1: Manual height-adjustable wall mount, mounting bar, wall frame cover, screw kit, side covers, installation guide
-------------------	---

ADDITIONAL REQUIREMENTS

Requires the Promethean VESA mount (AP-WALLMNT or AP-WALLMNT-2) that ships as standard with some panels.

ActivPanel®

Manual Height-Adjustable Stands



WALL MOUNT ACCESSORIES

The floor support accessory is required for schools that have thin walls or drywalls to ensure proper support for the ActivPanel.*

MANUAL HEIGHT-ADJUSTABLE FLOOR MOUNT SUPPORT SPECIFICATIONS

Compatible with all sizes of ActivPanel 5, ActivPanel i-Series, ActivPanel 6, and ActivPanel Elements series

PHYSICAL SPECIFICATIONS

Product Dimensions	650 x 2007 x 46 mm (26 x 79 x 2 in)
Packed Dimensions	145 x 1070 x 72 mm (6 x 42 x 3 in)
Net Weight	11 kg (24 lbs)
Packed Weight	11.4 kg (25 lbs)

PACKED CONTENTS

What's in the Box	Box 1 of 1: Frame assembly, screw kit, cover strips for floor support legs, installation guide
-------------------	--

*Consult your local building guidelines prior to installation.

ActivPanel®

Manual Height-Adjustable Stands



MANUAL HEIGHT-ADJUSTABLE MOBILE STAND SPECIFICATIONS

Compatible with all sizes of ActivPanel 5, ActivPanel i-Series, ActivPanel 6, and ActivPanel Elements series

PHYSICAL SPECIFICATIONS

Product Dimensions	1039 x 1800 x 731 mm (47 x 71 x 29 in)
Packed Dimensions	Box 1 of 4: 1100 x 770 x 175 mm (43.3 x 30.3 x 6.9 in) Box 2 of 4: 1215 x 250 x 180 mm (47.8 x 10 x 7.1 in) Box 3 of 4: 630 x 740 x 95 mm (29 x 25 x 3.7 in) Box 4 of 4: 635 x 545 x 95 mm (25 x 21.5 x 3.7 in)
Net Weight	58 kg (128 lbs)
Packed Weight	Box 1 of 4: 30.3 kg (67 lbs) Box 2 of 4: 16.6 kg (37 lbs) Box 3 of 4: 24 kg (53 lbs) Box 4 of 4: 4.6 kg (10 lbs)
Travel Distance (Adjustable Height)	400 mm (15.7 in)

PACKED CONTENTS

What's in the Box	Box 1 of 4: Mobile base, panel adapter Box 2 of 4: Fixed column, spacer, screw kit, user guide Box 3 of 4: Manual height-adjustable mount Box 4 of 4: Cover kit
-------------------	--

ADDITIONAL REQUIREMENTS

Requires the Promethean VESA mount (AP-WALLMNT or AP-WALLMNT-2) that ships as standard with some panels.

For customers interested in retrofitting their fixed-height mobile stand (APFSM) with the manual height adjustment, Box 3 and Box 4 are required (AP-ASW-70/90 and AP-ASM-COVER, respectively). Please consult compatibility matrix for additional information.

OPTIONAL ACCESSORIES

Push/pull handles, laptop tray, camera mount

WARRANTY

Five-Year Warranty (upgrade options available and vary by region). For more information, visit PrometheanWorld.com/ActivCare.

COMPLIANCE & CERTIFICATION

Regulatory Certification UL Recognized 62368-1, CE, CB

INSTALLATION

The installation of this product should be completed by a qualified installer. Use of components not supplied by Promethean or not meeting minimum specifications may impact performance, safety and warranty. For more information, visit Support.PrometheanWorld.com.

SUPPORT

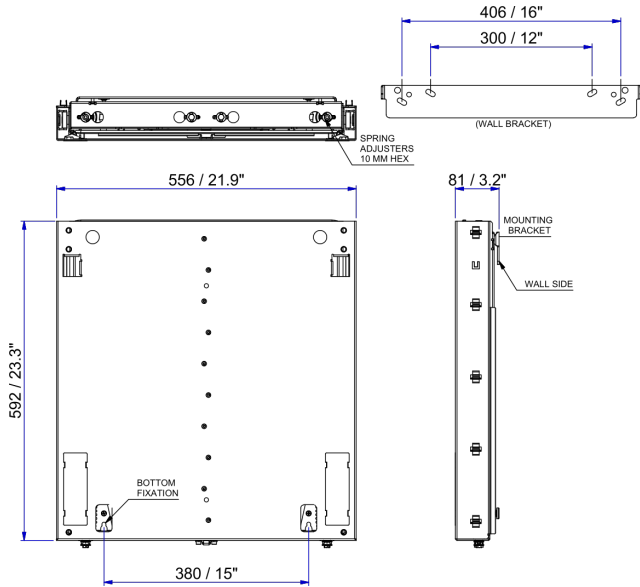
For all Promethean products, visit Support.PrometheanWorld.com.

ActivPanel[®]

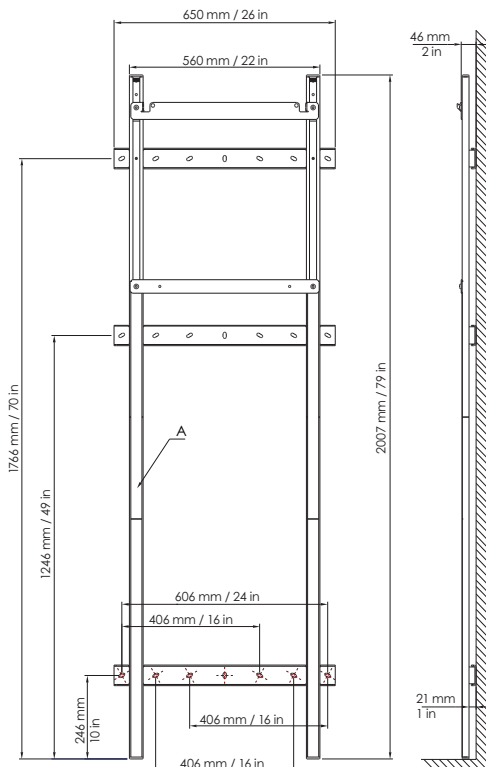
Manual Height-Adjustable Stands

TECHNICAL DRAWINGS

Manual Height-Adjustable Wall Mount



Manual Height-Adjustable Wall Mount Floor Support



ActivPanel[®]

Manual Height-Adjustable Stands

TECHNICAL DRAWINGS

Manual Height-Adjustable Mobile Stand

