

Mobile System

COMPATIBLE WITH ACTIVBOARD™ TOUCH 78" AND 88"

PRODUCT SPECIFICATIONS



ActivBoard Touch 78" with Mobile System and UST-P2 Projector



ActivBoard Touch 88" with Mobile System and UST-P2 Projector

SYSTEM OVERVIEW

The Mobile System is compatible with the Ultra Short Throw Projector (UST-P2). Please note that the Mobile System is only available for sale in North America.

PHYSICAL SPECIFICATIONS

	ABT 78" with Mobile System and UST-P2 Projector	ABT 88" with Mobile System and UST-P2 Projector
Overall Dimensions	1653 x 2319 x 931 mm (65 x 91.3 x 36.7 in)	1971 x 2319 x 931 mm (77.6 x 91.3 x 36.7 in)
Net Weight	91.4 Kg (201.5 lbs)	96.4 Kg (212.5 lbs)

COMPLIANCE & CERTIFICATION

Regulatory Certification UL, CUL

WARRANTY

For Promethean Warranty Terms and Conditions, please visit:
PrometheanWorld.com/ActivCare

INSTALLATION

The installation of this product should be completed by a qualified installer. Components supplied and minimum specifications stated have been tested and are required for optimal performance. Use of components not supplied by Promethean or not meeting minimum specifications may impact performance and affect warranty. Contact your Promethean partner or visit Support.
PrometheanWorld.com for more information.

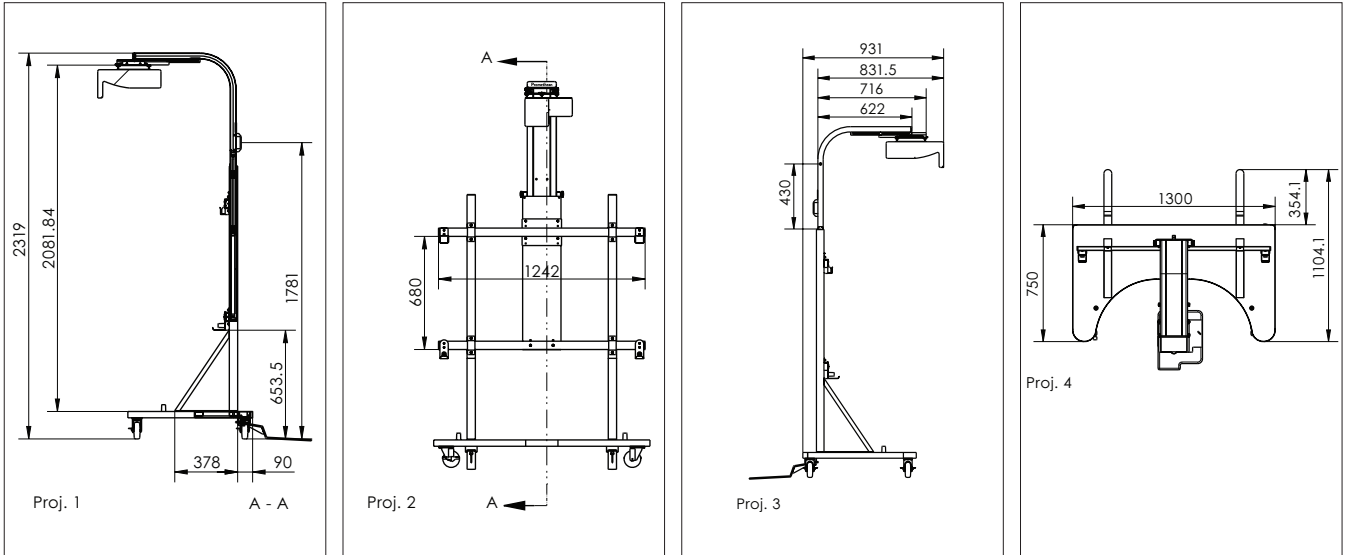
SUPPORT

For all Promethean Products, please visit: Support.PrometheanWorld.com

TECHNICAL DRAWINGS

ActivBoard Touch with Mobile System and UST-P2 Projector

Projection Mode



Transportation Mode

